



Project \_\_\_\_\_  
 Item \_\_\_\_\_  
 Quantity \_\_\_\_\_  
 CSI - 11400 \_\_\_\_\_  
 Approval \_\_\_\_\_  
 Date \_\_\_\_\_



## CX20 Marine (Electric) Scullery Door Type Dishwasher

- Quad-Arm Wash System— washes faster with better results!
- INDUSTRY FIRST! Submerged booster recaptures radiant heat, saving energy and money
- Ergo-Grip door handle provides multiple options for hand placement and eliminates the need to modify dishtable for corner installation
- RackAware automatic rack sensing system only runs a cycle when a rack is in the machine— no wasted cycles
- Foot-operated drain pedal eliminates back strain
- Vertically mounted pump motor ensures consistent wash pressure

### STANDARD FEATURES

- Capacity is 60 (20" x 20") racks per hour or 1500 dishes per hour
- 0.65 gallons per rack
- Oversized strainers collect twice the waste compared to traditional strainers
- Energy Conservation Drain Overflow reduces energy consumption
- Gas springs for smooth motion of hood and safe removal for replacement
- Hinged dishrack support swings up for tank and scrap screen access— makes cleaning a breeze!
- Swing out control panel— all components & 24V controls are accessible from the front of the machine
- IP67 controls with anti-vandal push buttons for durability & water resistance
- Multiple cycles: standard wash (1), extended wash (2), heavy soil (3)
- Dishrack guides nest & lock for storage
- Front mounted wash tank for easy cleaning
- Tank heat: electric immersion heater or steam injectors
- Single point electrical connection: motor, controls, heater and built-in booster
- Door safety switch
- Low water protection
- De-lime program for easy cleaning
- Easy-glide door
- Detergent connection provision
- S/S frame, legs and feet
- Wash arms with secured caps/pipe plugs to prevent loss
- Front mounted controls
- Non-proprietary parts

### OPTIONS

- VaporGuard Ventless System
- Extra high
- Extra high with VaporGuard Ventless System
- False panel kit for corner installation
- Steam coil
- Steam booster
- Security package
- Plastic 20" x 20" racks (plate or silver)
- Drain quench system
- Flanged feet

### SPECIFIER STATEMENT

Specified unit will be an Insinger CX20 scullery door type dishwasher. Features include oversized strainers, energy conservation overflow, hinged dishrack support, swing out control panel, IP67 waterproof controls with anti-vandal push buttons, submerged booster, easy glide door, low water protection, and 304 stainless steel construction.





## CX20 Marine (Steam) Scullery Door Type Dishwasher

- Quad-Arm Wash System—washes faster with better results!
- Ergo-Grip door handle provides multiple options for hand placement and eliminates the need to modify dishtable for corner installation
- RackAware automatic rack sensing system only runs a cycle when a rack is in the machine—no wasted cycles
- Foot-operated drain pedal eliminates back strain
- Vertically mounted pump motor ensures consistent wash pressure

### STANDARD FEATURES

- Capacity is 60 (20" x 20") racks per hour or 1500 dishes per hour
- 0.65 gallons per rack
- Oversized strainers collect twice the waste compared to traditional strainers
- Energy Conservation Drain Overflow reduces energy consumption
- Gas springs for smooth motion of hood and safe removal for replacement
- Hinged dishrack support swings up for tank and scrap screen access—makes cleaning a breeze!
- Swing out control panel—all components & 24V controls are accessible from the front of the machine
- IP67 controls with anti-vandal push buttons for durability & water resistance
- Multiple cycles: standard wash (1), extended wash (2), heavy soil (3)
- Dishrack guides nest & lock for storage
- Front mounted wash tank for easy cleaning
- Tank heat: electric immersion heater or steam injectors
- Single point electrical connection: motor, controls, heater and optional booster (when selected as an option)
- Door safety switch
- Low water protection
- De-lime program for easy cleaning
- Easy-glide door
- Detergent connection provision
- S/S frame, legs and feet
- Wash arms with secured caps/pipe plugs to prevent loss
- Front mounted controls
- Non-proprietary parts

### OPTIONS

- VaporGuard Ventless System
- Extra high
- Extra high with VaporGuard Condensation Removal System
- False panel kit for corner installation
- Steam coil
- Steam booster
- Security package
- Plastic 20" x 20" racks (plate or silver)
- Drain quench system
- Flanged

### SPECIFIER STATEMENT

Specified unit will be an Insinger CX20 scullery door type dishwasher. Features include oversized strainers, energy conservation overflow, hinged dishrack support, swing out control panel, IP67 waterproof controls with anti-vandal push buttons, external steam booster, easy glide door, low water protection, and 304 stainless steel construction.



# Additional Information

Capacity Per Hour	60 racks 1500 dishes 2400 glasses
Tank Capacity	17.5 gallons
Booster Capacity	2.3 gallons
Motor Size	1.5 HP
Steam Consumption at 20 psi min.	11 lbs./hour tank 22 lbs./hour booster 40° rise 43 lbs./hour booster 70° rise
Final Rinse Peak Flow at 20 psi. min.	3.9 gallons/minute
Final Rinse Consumption at 20 psi min.	38.4 gallons/hour
Exhaust Hood Requirement	450 CFM
Peak Rate Drain Flow	35 gallons/minute
Water Inlet Temperature	110°F
Time Cycle	Cycle 1: Wash Time: 49 sec Rinse Time: 10 sec Total Cycle Time: 59 sec  Cycle 2: Wash Time: 80 sec Rinse Time: 10 sec Total Cycle Time: 90 sec  Cycle 3: Wash Time: 170 sec Rinse Time: 10 sec Total Cycle Time: 180 sec
Shipping Weight	400 lbs.

## SPECIFICATIONS

**CONSTRUCTION-** Hood and tank constructed of 16 gauge type 304 S/S. Hood unit of all welded seamless construction. S/S frame, legs and feet. All internal castings are non-corrosive lead free nickel alloy or bronze.

**DOOR-** Single piece construction operating doors have finger tip control, balanced by externally mounted gas springs.

**PUMP-** Centrifugal type “packless” pump with a brass petcock drain. Construction includes ceramic seal and a balanced stainless steel impeller on a precision ground stainless steel shaft, extension or sleeve. All working parts mounted as an assembly and removable as a unit without disturbing pump housing. One 1.5 hp motor, standard horizontal C-face frame, drip proof, internally cooled with ball-bearing construction.

**CONTROLS-** Front mounted controls for easy access.

**SPRAY SYSTEM-** Wash and rinse spray systems made of type 304 stainless steel pipe threaded into cast hub assemblies. Upper and lower wash and rinse spray assemblies are removable without the use of tools.

**WASH-** Quad-Arms upper and lower with teflon sleeve bearing. Arms are precision designed for maximum wash coverage of ware.

**FINAL RINSE-** Rinse arms upper and lower with precision design pattern for maximum coverage of ware.

**DRAIN-** Foot pedal operated with auto-sense to indicate when drain is open.

Contact Insinger Sales at 800-344-4802 for an installation drawing specific to your application.  
This drawing is available on the Insinger website at [www.insingermachine.com](http://www.insingermachine.com)

Note: Due to product improvement we reserve the right to change information and specifications without notice.

# Technical Drawings

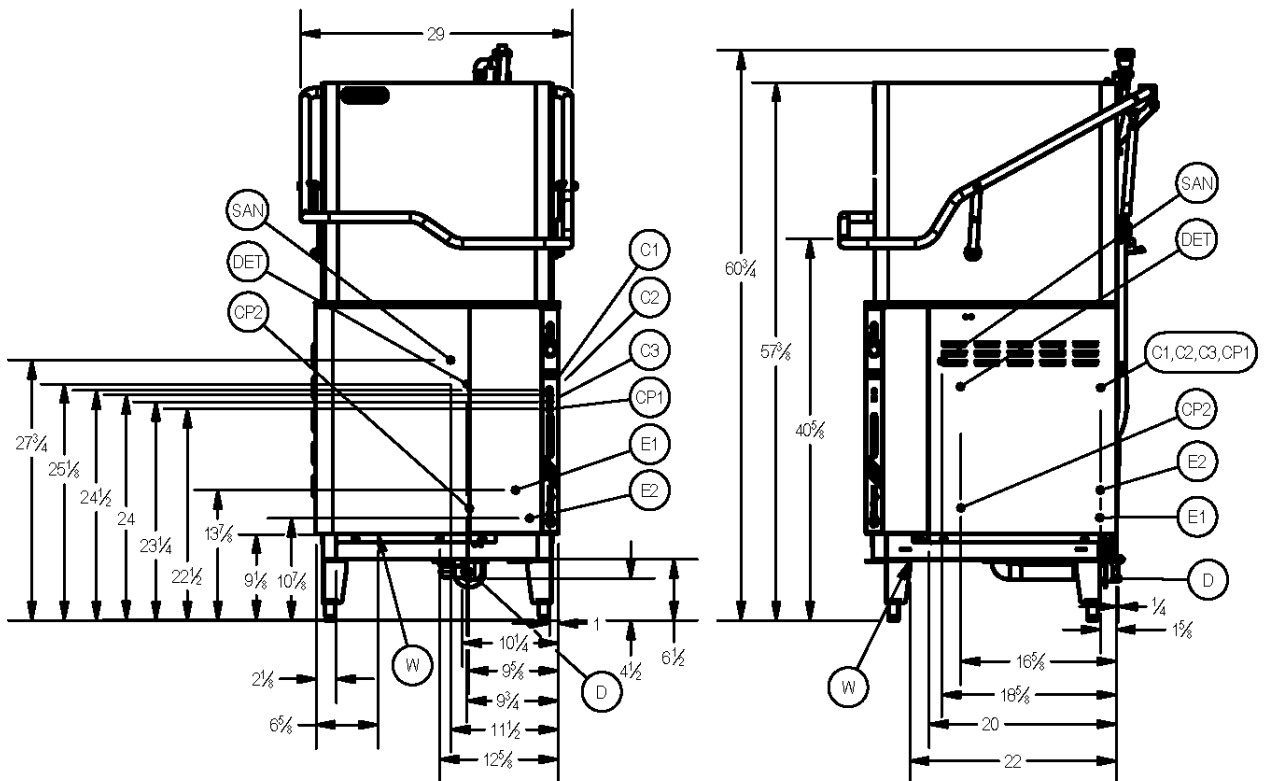
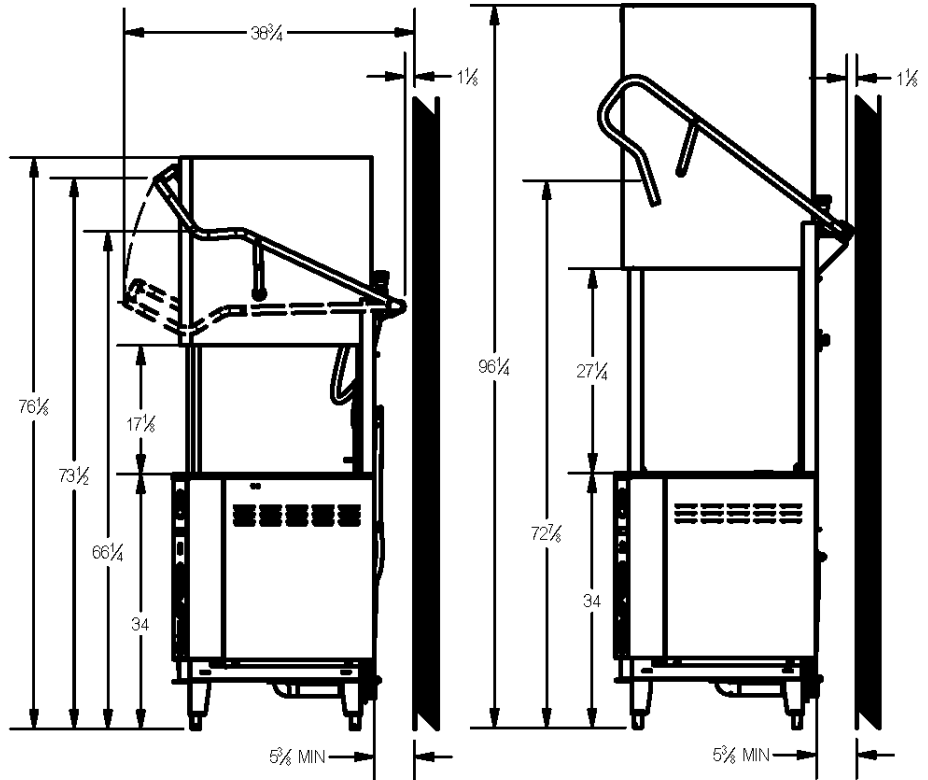
## STANDARD HOOD

## HIGH HOOD

ACCESS & CONNECTION POINTS		
ITEM	DESCRIPTION	SIZE
W	WATER INLET	1/2 NPT
D	DRAIN	1-1/2 NPT
E1	MAIN ELECTRICAL	1-3/8" Hole
E2	AUX ELECTRICAL (DUAL POINT)	1-3/8" Hole
C1	CHEMICAL LINE ACCESS #1	1/2" Hole
C2	CHEMICAL LINE ACCESS #2	1/2" Hole
C3	CHEMICAL SIGNAL WIRES	1/2" Hole
CP1	CONDUCTIVITY PROBE WIRE	1/2" Hole
CP2	CONDUCTIVITY PROBE	7/8" Hole
DET	DETERGENT INSERSION PT.	7/8" Hole
RA	RINSE AID INSERSION PT.	1/4 NPT

ALL CONNECTION POINTS SHOWN APPLY TO ALL UNITS STANDARD, HIGH HOOD AND STEAM

NOTE: ALL VERTICAL DIMENSIONS ARE +/- 1/2" DUE TO ADJUSTABLE BULLET FEET



# Technical Drawings

## STEAM BOOSTER

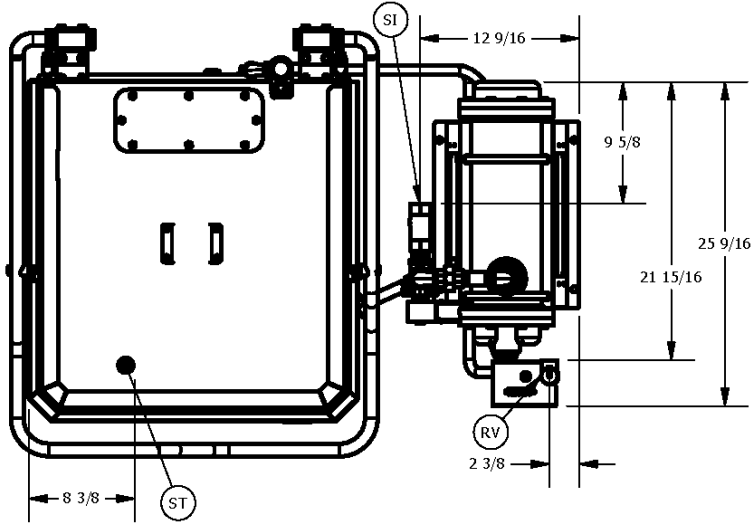
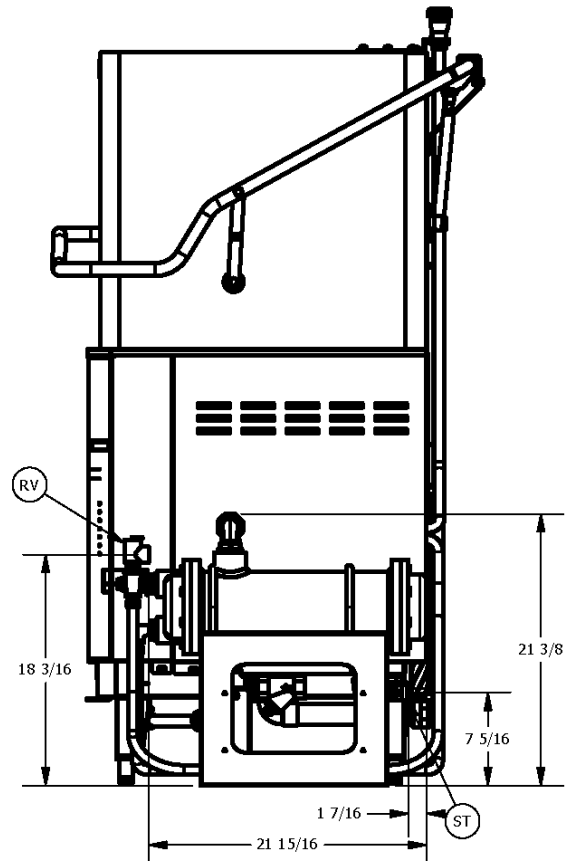
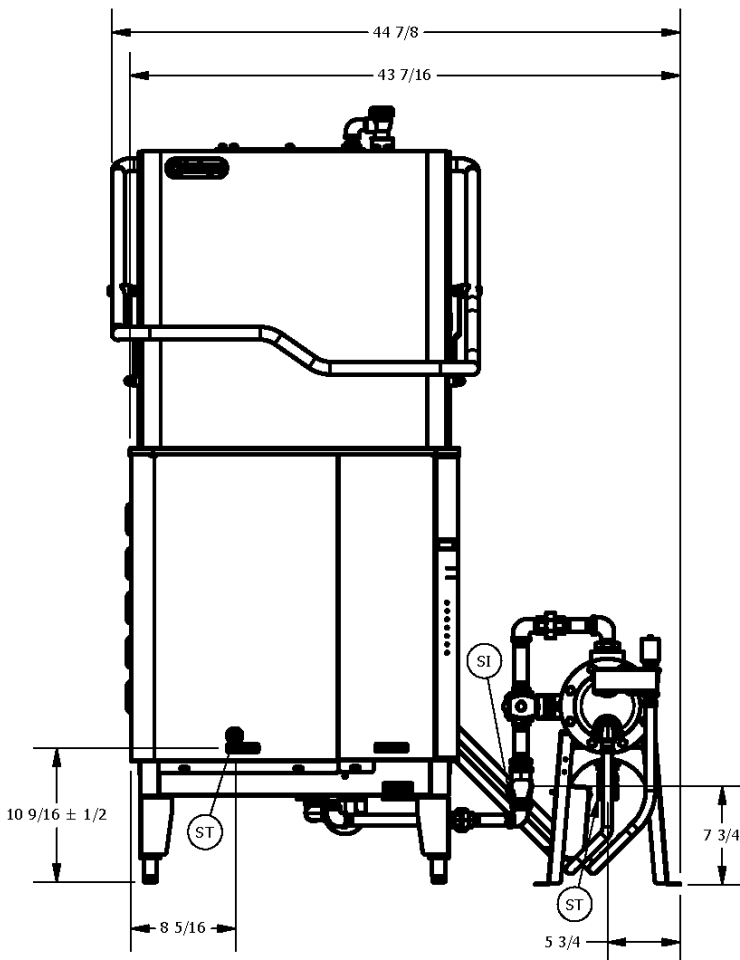


TABLE		
ITEM	DESCRIPTION	SIZE
SI	STEAM INLET	1 NPT
ST	STEAM TRAP OUTLET	1/2 NPT
RV	MAIN ELECTRICAL	3/4 NPT

ALL CONNECTION POINTS SHOWN APPLY TO BOTH STANDARD AND HIGH HOOD UNITS



# Electrical Requirements

ELECTRICALLY HEATED / SINGLE POINT CONNECTION									
VOLTS	PHASE	FREQ	WASH MOTOR	WASH HEATER	RINSE HEATER	CONTROL	TOTAL LOAD	MCA	MOP
480	3	60	2.1 A	10.8 A	10.8 A	0.12 A	23.8 A	30 A	30 A

ELECTRICALLY HEATED / DUAL POINT CONNECTION															
CONNECTION #1									CONNECTION #2						
VOLTS	PH	FREQ	WASH MOTOR	WASH HEATER	CONTROL	TOTAL LOAD	MCA	MOP	VOLTS	PH	FREQ	RINSE HEATER	TOTAL LOAD	MCA	MOP
480	3	60	2.1 A	10.8 A	0.12 A	13.0 A	20 A	20 A	480	3	60	10.8 A	10.8 A	15 A	15 A

STEAM HEATED / SINGLE POINT CONNECTION							
VOLTS	PH	FREQ	WASH PUMP	CONTROL	TOTAL LOAD	MCA	MOP
480	3	60	2.1 A	0.13 A	2.2 A	15 A	15 A